

APPLICATION

The paddle type SPDT WFS series are designed to provide excellent performance where accuracy, reliability, and rugged construction (IP54) are required used in liquid flow lines carrying water or any fluid neither harmful to brass and phosphor bronze nor classified as a hazardous fluids.

They can be wired to close one circuit and open a second circuit when liquid flow either exceeds or drops below the adjusted flow rate.

The WFS series are recommended for liquid pressure and temperature as mentioned below and must not be used on lines carrying liquids below 0 degree C.

These series may be used on liquids with high salt or chlorine content but is not for use in hazardous atmospheres.

They may be also used outdoors but must be protected from weather or splashing water.

All series WFS flow switches are designed for use only as operating controls.

Where an operating control failure would result in personal injury and/or loss of property, it is the responsibility of user to add safety devices that protect against, or supervisory systems that warn of control failure.



Red ABS Cover
Base Plate (Ni)

RoHS

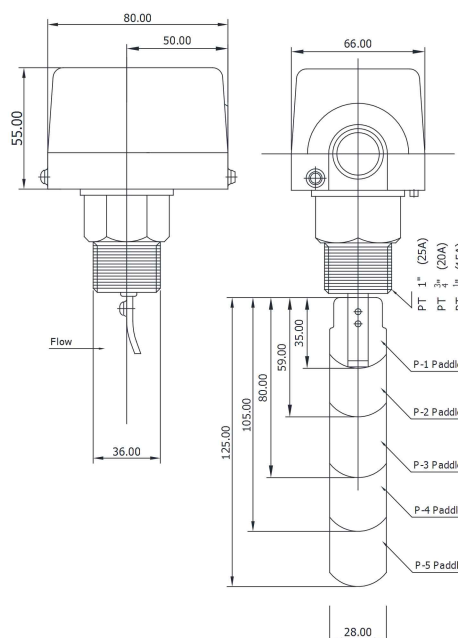
SPECIFICATION

Operating Pressure	10kgf/cm ² (1MPa)
Withstand Pressure	17.5Kgf/cm ² (1.75MPa)
Insulation Resistance	Over 100Ω, DC500VM
Withstand Voltage	AC1500V/1minute
Contact Point Life	1000K Cycle
Bellows Life	500K Cycle
Temperature of Fluid	Max 100°C (212°F)

ELECTRICAL RATINGS

Type	Voltage	Resistance Load	Lamp Load	Motor Load
AC (Standard)	AC 125 V AC 250 V	5A 2.5A	44A 22A	5A 2.5A
DC	DC 115 V DC 230 V	0.3A 0.15A		

DIMENSION

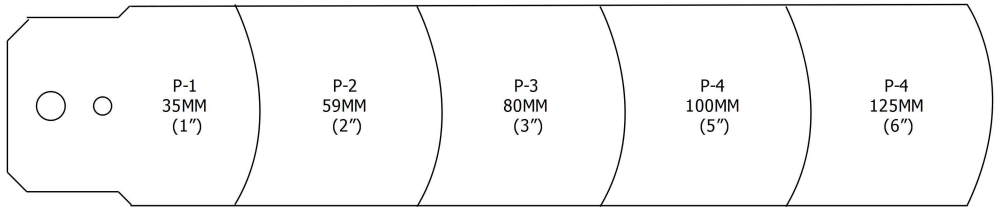


This product meets the requirements of **CE**

FLOW RATE IN LITERS PER MINUTE(LPM)

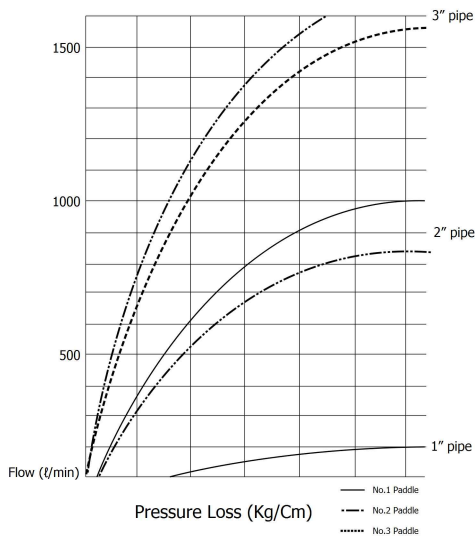
PIPE SIZE	1"	1-1/4"	1-1/2"	2"	4"	6"	8"	10"	12"	14"	16"	18"	20"
FLOW QTY	15	26	29	34.5	74.90	149.90	1013.47	1791.0	2776.00	3729.00	4869.00	5360.00	6687.00
PADDLE	1PCS	1PCS	1PCS	1 OR 2 PCS	2PCS	3PCS	5PCS	5PCS	5PCS	5PCS	5PCS	5PCS	5PCS

Flow rates averages which may vary ± from pipe. *Equipped with extended paddle trimmed to pipe size

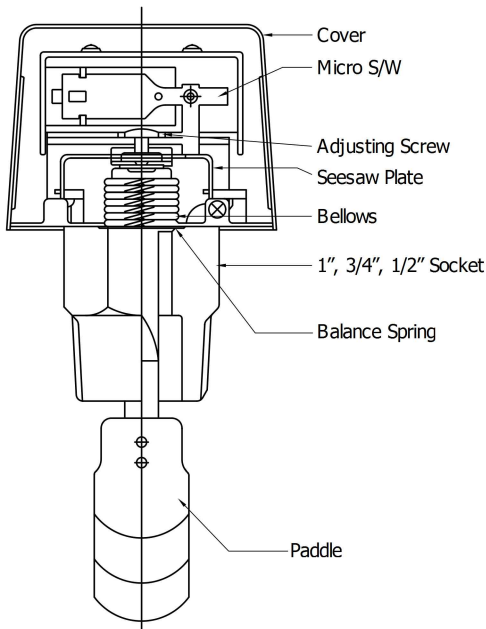
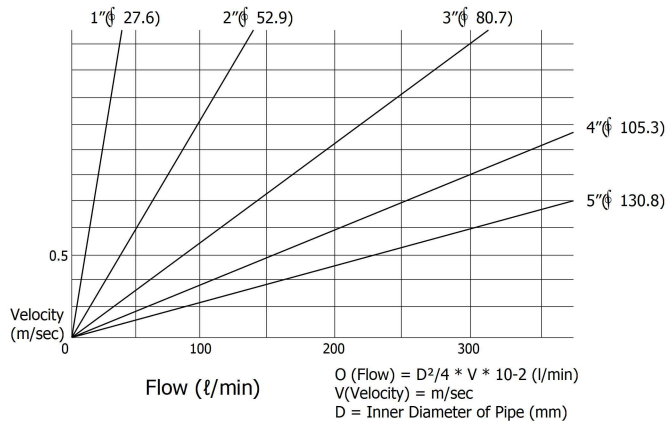


*NOTE
 1. Individual SUS Paddle are quickly adaptable for 1 inch to 3 inch (25 to 80mm) pipe.
 2. Standard model is 1 inch to 3 inch

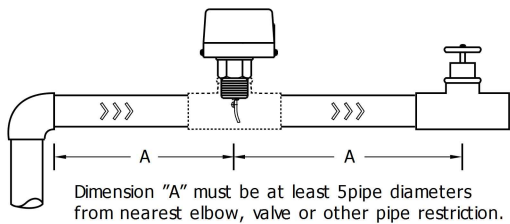
PRESSURE LOSS RATE



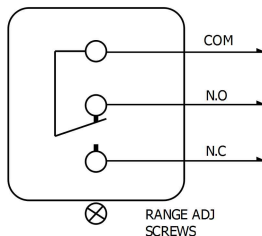
FLOW-VELOCITY



Typical Installation



NO-FLOW



FLOW

